

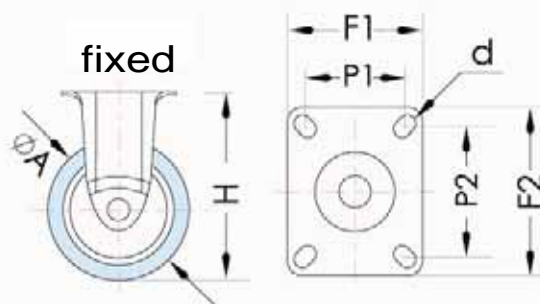


CASTER SERIES



Silent Type Casters

KE-100 Fixed silent rubber and TPR caster

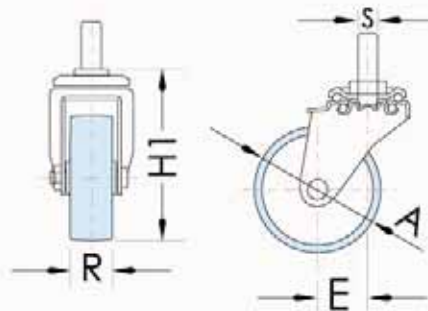


Specification

Model	Type of wheel	wheel diameter (mm)	Max load (kg)	wheel width (mm)	Total height (mm)	Shaft diameter (mm)	Top plate size (mm)	Installation pitch (mm)	hole diameter (mm)	off-center distance (mm)	Weight (kg)
PSkE-100	Rubber	100 4"	70	27	122	8	100×58	82×40	8.8	-	0.43
PTkE-100	TPR	100 4"	70	27	122	8	100×58	82×40	8.8	-	0.38



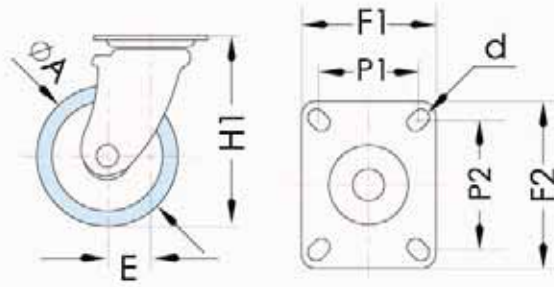
PTXS、PTJX Swivel Silent TPR Caster



Model	Type of wheel	wheel diameter (mm)	Max load (kg)	wheel width (mm)	Shaft diameter (mm)	H (mm)	S (mm)	B (mm)	off-center distance (mm)
PTJXS-100	TPR	100	70	27	8	127	M2×1.75	33	25
PTJX-100	TPR	100	70	27	8	127	M2×1.75	33	26



PNJC Swivel Silent Plastic Core Rubber Caster

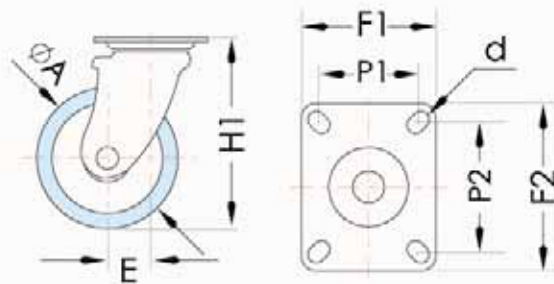


Specification

Model	Type of wheel	wheel diameter (mm)	Max load (kg)	wheel width (mm)	Total height (mm)	Shaft diameter (mm)	Top plate size (mm)	Installation pitch (mm)	hole (mm)	off-center distance (mm)	Weight (kg)
PNJC-125	Rubber plastic core	125 5"	130	38	168	12	100×100	80×80 (75×75)	11	38	1.42
PNJC-151	Rubber plastic core	150 6"	140	38	190	12	100×100	80×80 (75×75)	11	40	1.63



SJ,HJ Swivel Silent Iron Core Rubber Caster

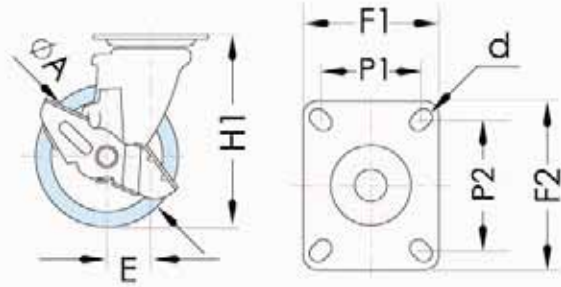


Specification

Model	Type of wheel	wheel diameter (mm)	Max load (kg)	wheel width (mm)	Total height (mm)	Shaft diameter (mm)	Top plate size (mm)	Installation pitch (mm)	hole (mm)	off-center distance (mm)	Weight (kg)
SJ-100	Rubber Iron core	100 4"	130	32	144	12	95×95	71×71	11	35	1.01
SJ-130	Rubber Iron core	130 5"	180	42	177	20	105×105	82×82 (75×75)	11	45	2.43
SJ-150	Rubber Iron core	150 6"	200	45	198	20	120×120	90×90	11	45	2.43
SJ-200	Rubber Iron core	200 8"	250	45	250	20	140×140	115×115 (105×105)	11.5	58	3.98
HJ-131	Rubber Iron core	130 5"	180	42	177	12	105×105	82×82 (75×75)	11	40	1.55



PNJCS Swivel Silent Plastic Core Rubber Caster with brake



Specification

Model	Type of wheel	wheel diameter (mm)	Max load (kg)	wheel width (mm)	Total height (mm)	Shaft diameter (mm)	Top plate size (mm)	Installation pitch (mm)	hole (mm)	off-center distance (mm)	Weight (kg)
PNJCS-125	Rubber plastic core	125 5"	130	38	168	12	100×100	80×80 (75×75)	11	38	1.60
PNJCS-151	Rubber plastic core	150 6"	140	38	190	12	100×100	80×80 (75×75)	11	40	1.76



SJB, HJB

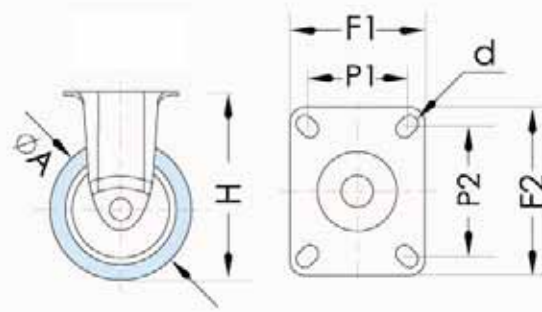
Swivel Silent Iron Core Rubber Caster with brake

Specification

Model	Type of wheel	wheel diameter (mm)	Max load (kg)	wheel width (mm)	Total height (mm)	Shaft diameter (mm)	Top plate size (mm)	Installation pitch (mm)	hole (mm)	off-center distance (mm)	Weight (kg)
SJB-100	Rubber Iron core	100 4"	130	32	144	12	95×95	71×71	11	35	1.01
SJB-130	Rubber Iron core	130 5"	180	42	177	12	105×105	82×82 (75×75)	11	40	1.75
SJB-150	Rubber Iron core	150 6"	200	45	198	20	120×120	90×90 (75×75)	11	45	2.43
SJB-200	Rubber Iron core	200 8"	250	45	250	20	140×140	115×115 (105×105)	11.5	58	3.98
HJB-131	Rubber Iron core	130 5"	160	42	177	12	105×105	82×82 (75×75)	11	40	1.55



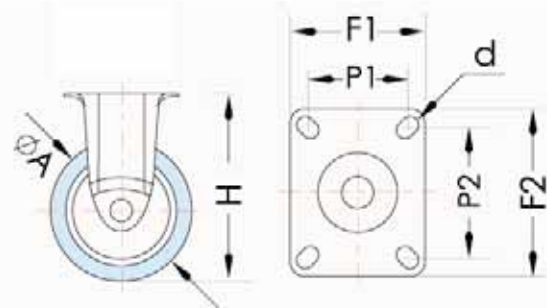
PNK Fixed plastic core silent rubber caster



Specification

Model	Type of wheel	wheel diameter (mm)	Max load (kg)	wheel width (mm)	Total height (mm)	Shaft diameter (mm)	Top plate size (mm)	Installation pitch (mm)	hole (mm)	off-center distance (mm)	Weight (kg)
PNKE-125	Rubber plastic core	125 5"	130	38	168	12	140×94	112×56 (100×53)	11	-	1.02
PNKE-151	Rubber plastic core	150 6"	140	38	190	12	100×100	80×80 (75×75)	11	-	1.03

SK, HK Fixed iron core silent rubber caster

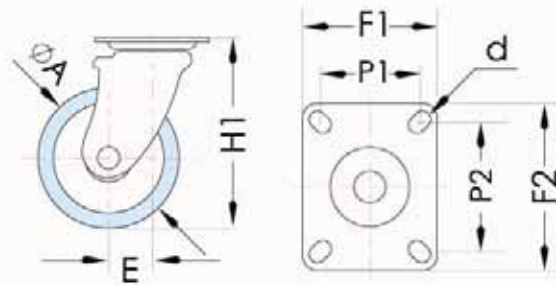


Specification

Model	Type of wheel	wheel diameter (mm)	Max load (kg)	wheel width (mm)	Total height (mm)	Shaft diameter (mm)	Top plate size (mm)	Installation pitch (mm)	hole (mm)	off-center distance (mm)	Weight (kg)
Sk-100	Rubber Iron core	100 4"	130	35	144	12	115×80	80×45	11	-	0.8
Sk-130	Rubber Iron core	130 5"	180	42	177	20	137×93	100×56/50	11	-	1.5
Sk-150	Rubber Iron core	150 6"	200	45	198	20	137×93	100×56/50	11	-	1.84
Sk-200	Rubber Iron core	200 8"	250	45	250	20	151×102	112×63	11.5	-	3.4
HK-131	Rubber Iron core	130 5"	160	42	177	20	137×93	100×56/50	11	-	1.3



SUJ Swivel Silent Iron Core PU Caster

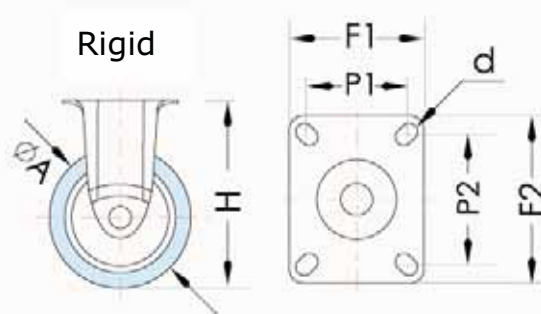


Specification

Model	Type of wheel	wheel diameter (mm)	Max load (kg)	wheel width (mm)	Total height (mm)	Shaft diameter (mm)	Top plate size (mm)	Installation pitch (mm)	hole (mm)	off-center distance (mm)	Weight (kg)
SUJ-100	PU Iron core	100 4"	180	32	144	12	95×95	71×71	11	35	1.12
SUJ-200 ^P	PU Iron core	200 8"	400	42	250	20	140×140	115×115 (105×105)	11.5	58	4.12



SUK Fixed iron core PU caster



Specification

Model	Type of wheel	wheel diameter (mm)	Max load (kg)	wheel width (mm)	Total height (mm)	Shaft diameter (mm)	Top plate size (mm)	Installation pitch (mm)	hole (mm)	off-center distance (mm)	Weight (kg)
SUK-100	PU Iron core	100 4"	180	32	144	12	115×80	80×45	11	-	0.9
SUK-200	PU Iron core	200 8"	400	42	250	20	151×102	112×63	11.5	-	3.54



SUJB

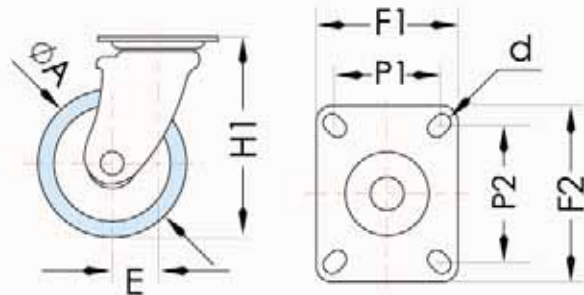
Swivel Silent Iron Core PU Caster with brake

Specification

Model	Type of wheel	wheel diameter (mm)	Max load (kg)	wheel width (mm)	Total height (mm)	Shaft diameter (mm)	Top plate size (mm)	Installation pitch (mm)	hole (mm)	off-center distance (mm)	Weight (kg)
		A	KG	R	H1	D	F1 F2	P1 P2	d	E	
SUJB-100	PU Iron core	100 4"	180	32	144	12	95×95	71×71	11	35	1.12
SUJB-200	PU Iron core	200 8"	400	42	250	20	140×140	115×115 (105×105)	11.5	58	4.12



JE-100 Swivel Silent Rubber/TPR Caster



Specification

Model	Type of wheel	wheel diameter (mm)	Max load (kg)	wheel width (mm)	Total height (mm)	Shaft diameter (mm)	Top plate size (mm)	Installation pitch (mm)	hole (mm)	off-center distance (mm)	Weight (kg)
		A	KG	R	H1	D	F1 F2	P1 P2	d	E	
PSJE-100	Rubber	100 4"	70	27	122	8	100×58	82×40	8.8	32	0.55
PTJE-100	TPR	100 4"	70	27	122	8	100×58	82×40	8.8	32	0.49

H-151 Silent Iron Core Rubber Caster



Specification

Model	Type of wheel	wheel diameter (mm)	Max load (kg)	wheel width (mm)	Total height (mm)	Shaft diameter (mm)	Top plate size (mm)	Installation pitch (mm)	hole (mm)	off-center distance (mm)	Weight (kg)
HKC-151	Fixed	150 6"	140	38	190	12	100×100	80×80 (75×75)	11	-	1.20
HJC-151	Swivel	150 6"	140	38	190	12	100×100	80×80 (75×75)	11	40	1.80
HJCS-151	Swive with brake	150 6"	140	38	190	12	100×100	80×80 (75×75)	11	40	1.93